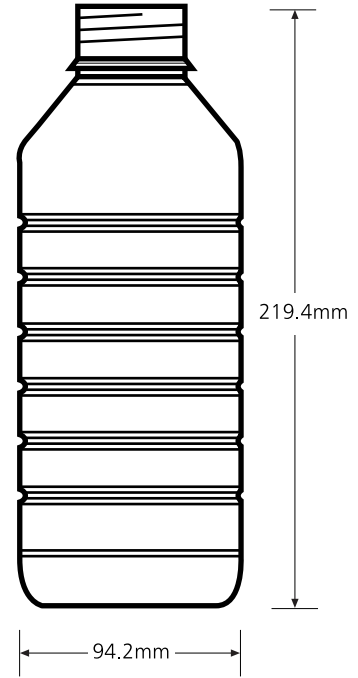


## AGROCHEM 1L PET



### Container

Size	Material	Shape	Label Area	Weight	Neck Finish	UN Approval	No. Pallet
1L	PET	Round	Label area available	46g	45mm	Grp II SG1.2	1630

### Applications:

Agrochemical, Automotive, Industrial, Janitorial / Cleaning Chemicals, Edible Oils.

### Nexus Packaging Ltd.

7 Centurion Business Park, Shields Road, Glasgow, G41 1HH

Tel: 0141 429 2525 | Fax: 0141 429 2060 | Email: admin@nexpack.co.uk

REGISTERED IN SCOTLAND: No. SC262044 | VAT No. 829 6449 83