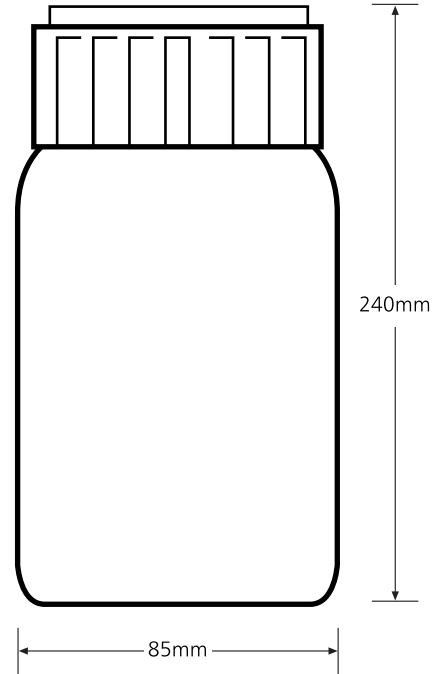


ROUND RANGE 1L UN



Container

| Size | Material | Shape | Weight | Neck Finish | UN Approval | No. Pallet |
|------|----------|-------|--------|-------------|--------------|------------|
| 1L | HDPE | Round | 83g | 50mm | Grp II SG1.3 | 790 |

Applications:

Industrial, Janitorial / Cleaning Chemicals, Hair & Beauty.

Nexus Packaging Ltd.

7 Centurion Business Park, Shields Road, Glasgow, G41 1HH

Tel: 0141 429 2525 | Fax: 0141 429 2060 | Email: admin@nexpack.co.uk

REGISTERED IN SCOTLAND: No. SC262044 | VAT No. 829 6449 83