

## IBC Stacking Performance

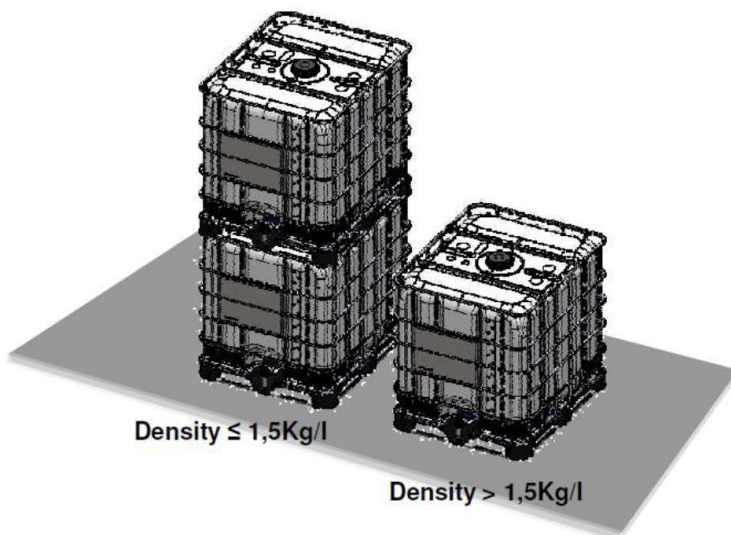
---

### Static load:



Stacking on even flat surface at ambient temperature

### Dynamic load:



The IBC's need to be secured during transport.

Never stack high weight filled IBC on low weight filled IBC.